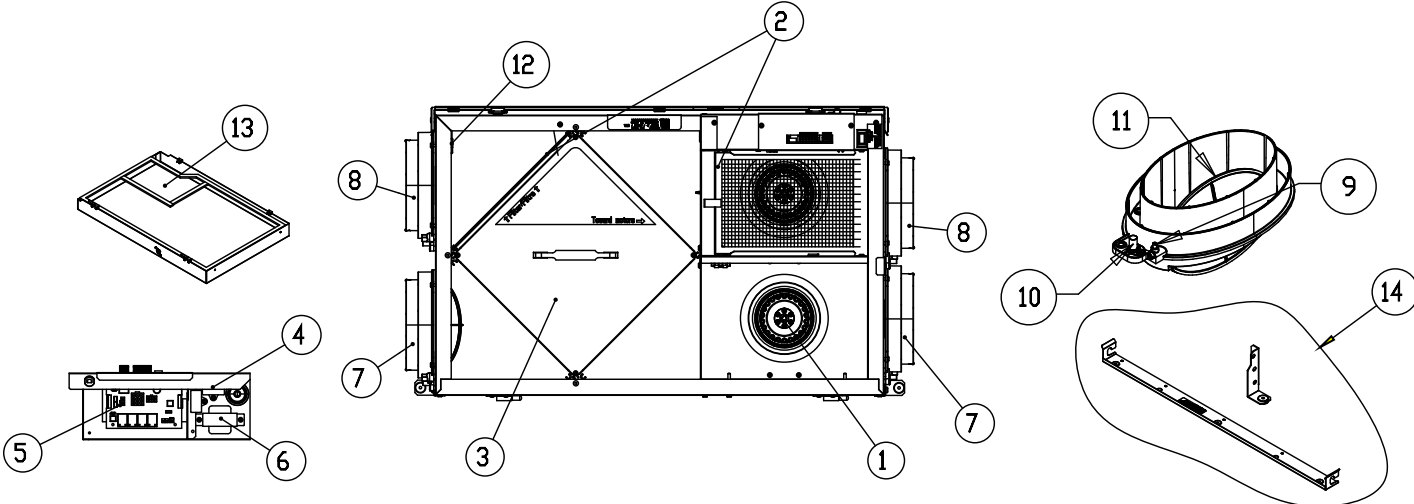


FIT[®]120H

Heat Recovery Ventilator/Ventilateur récupérateur de chaleur



BOM #	Description	FIT120H (75064)
1	R2E 190 Radical, Rep. Kit	414382
2	Electrostatic Filters Kit	422580
3	Heat Recovery Cell 12" x 12" x 7.7"	424025
4	Capacitors 8uF	410012
5	Kit,PCB Replacement,Board,AC*	422677
6	Auto-Transformer	411963
7	Collar 5", Oval, w/Stop	412826
8	Collar 5", Oval, wo/Stop	412827
9	Screw, Set, Slotted, 8-32 x 5/16"	412836
10	Cap, w/Tab, Plastic, Tapered	412839
11	Damper, 5", Oval	412831
12	Temperature Probe	40286
13	Door Assembly	422629
14	Hanging Kit, FIT120H	422617
	Kit, Chain	404261
	KIT,FILTER,2XMERV6, 6.9"X11.8"	414648
	KIT, FILTER, 2XMERV6, 7.7"X11"	414649
	Wiring Diagram	442949
	Installation Manual	422622



* If the first set of digits (can be between 7 and 10 digits long) of your serial number is **#2476161** or lower, your replacement board is **#427390**
 * Si la première série de chiffres (entre 7 et 10 chiffres) de votre numéro de série est **2476161** ou plus bas, votre carte de remplacement est **#427390**.

