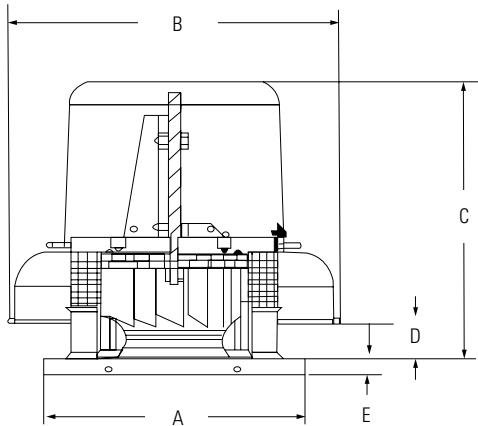


5BDD Series

Belt Drive Downblast Roof Ventilator



STANDARD FEATURES

- All ventilators are UL 705 Standard listed
- Durable spun aluminum construction with steel support braces
- Inlet temperatures up to 170°F
- Backward inclined aluminum fan wheel
- Equipped with a built-in bird screen to protect discharge



Fantech Inc. certifies that the 5BDD Series shown herein is licensed to bear the AMCA Seal. The ratings shown are based on tests and procedures performed in accordance with AMCA Publication 211 and AMCA Publication 311 and comply with the requirements of the AMCA Certified Ratings Program.

Model	A	B	C	D	E
5BDD 10	19	25 3/4	22 7/8	3	1 1/2
5BDD 12	22	28	23 3/8	3	1 1/2
5BDD 13	22	29 3/4	24 5/8	3 1/4	1 1/2
5BDD 15	26	31 11/16	27 3/8	3 3/4	1 1/2
5BDD 16	26	33 11/16	27 3/4	4 3/16	1 1/2

Model	A	B	C	D	E
5BDD 18	30	36	29 5/8	4 3/4	1 1/2
5BDD 20	30	38 1/4	30 1/4	5 1/4	1 1/2
5BDD 24	34	44 1/4	33	6 11/16	1 1/2
5BDD 30	42	51 7/16	37 1/2	8 13/32	1 1/2
5BDD 36	46	60	41 5/8	10 1/2	1 1/2

All dimensions in inches.

Fan Specifications							Motor Specifications				
Line	Qty	Model No.	Tag	CFM	SP	Fan RPM	Watts	Volts	Phase	Hertz	Encl
1											
2											
3											
4											

Accessory Items	1	2	3	4	Accessory Items	1	2	3	4
<input type="checkbox"/>					<input type="checkbox"/>				
<input type="checkbox"/>					<input type="checkbox"/>				
<input type="checkbox"/>					<input type="checkbox"/>				
<input type="checkbox"/>					<input type="checkbox"/>				

Project: _____ Submitted: _____
 Customer: _____ Approved: _____
 Location: _____

United States 10048 Industrial Blvd. • Lenexa, KS 66061 • 1.800.747.1762 • www.fantech.net
Canada 50 Kanalfakt Way • Bouctouche, NB E4S 3M5 • 1.800.565.3548 • www.fantech.net

Fantech reserves the right to make technical changes.
 For updated documentation please refer to www.fantech.net

