



**fantech**<sup>®</sup>  
a systemair company

Installation, Operation and Maintenance instruction

EN

---

## **DEDPV-705 Dryer Exhaust Duct Power Ventilator**



# Table of contents

1	Introduction .....	1
1.1	Product Description.....	1
1.2	Intended Use .....	1
1.3	Document Description .....	1
1.4	Fantech Warranty .....	1
1.5	Product Overview .....	2
1.6	Type Designation .....	2
2	Safety .....	3
2.1	Safety definitions.....	3
2.2	Safety Instructions .....	3
2.3	Personal protective equipment .....	3
3	Installation.....	4
3.1	To Do Before the Installation .....	4
3.1.1	To Calculate the Duct Run .....	4
3.1.2	To Select the Product Location .....	4
3.2	To Install the Product.....	5
3.2.1	To Mount the Bracket .....	5
3.2.2	To Mount the Product in a Vertical or a Horizontal Position .....	5
3.2.3	To Install the Ducts .....	6
3.2.4	To Position the Pressure Switch.....	6
3.2.5	To Install the Grommet and Tubing.....	8
3.2.6	To Connect the Indicator Panel Cable to the Product.....	8
3.2.7	To Install the Indicator Panel to the Wall.....	8
4	Troubleshooting.....	10
4.1	Product Operation Test .....	10
5	Maintenance.....	12
5.1	To Maintain the Product .....	12
6	Technical data.....	13
6.1	Product Dimensions.....	13

---

# 1 Introduction

## 1.1 Product Description

This product is specifically designed to assist a single residential dryer (gas or electric) in overcoming dryer performance loss caused by long or restrictive duct systems. Dryer Exhaust Duct Power Ventilators (DEDPVs) are different from the term dryer booster because this product has to comply with strict safety requirements.

This product works together with the application's dryer. It may be installed in a different location than the dryer, such as an attic, a crawl space, or a basement.

This dryer depends on this product to safely and efficiently operate. Operating this dryer without a functional product will cause unsatisfactory dryer operation and too much energy consumption, and possibly a dryer fire. See the warning on the indicator panel.

In order to perform recommended maintenance, product location should allow sufficient access for service. Refer to section [3.2.3 To Install the Ducts](#).

This fan has rotating parts and personnel must exercise safety precautions during installation, operations, and maintenance.

## 1.2 Intended Use

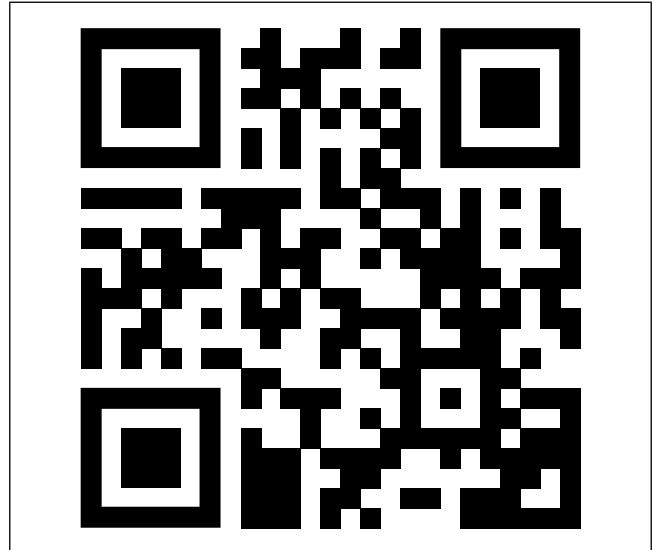
Use this product only in the manner intended by Fantech. If you have any questions, please contact a Fantech representative.

## 1.3 Document Description

This document contains instructions for installation, operation and maintenance of the product. The procedures must be done by approved personnel only.

Speak to a Fantech representative for more information on how to install the product in different installation locations.

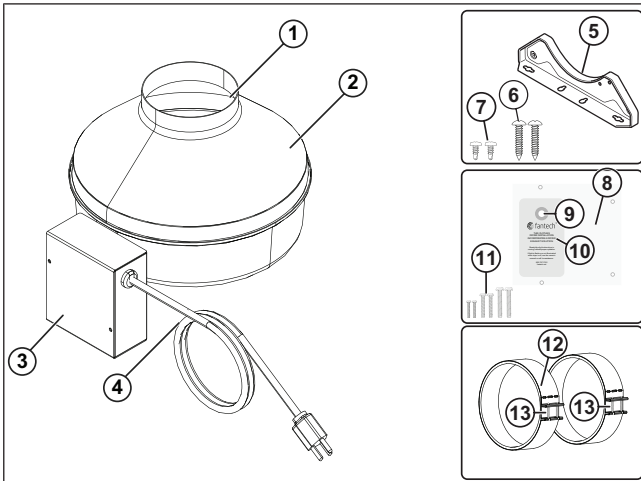
## 1.4 Fantech Warranty



Make a scan of the code above to access Fantech's warranty in English, French, or Spanish. This product has a 5 year warranty.

If additional support is needed to retrieve the warranty, visit [fantech.net](http://fantech.net); call (800) 747-1762 (US), (800) 565-3548 (Canada), or +52 55 1328-7328 (Latin America); email [support@fantech.net](mailto:support@fantech.net); or mail us at 10048 Industrial Blvd, Lenexa, KS 66215 United States or at 50 Kanalfläkt Way, Bouctouche, NB E4S 3M5 Canada.

## 1.5 Product Overview



1. Fan Inlet, quantity 1
2. Casing, quantity 1
3. Electrical Box, quantity 1
4. 3-prong Power Cord, quantity 1 — 5 feet (1.5 meters)
5. Mounting Bracket, quantity 1
6. Wood Screws, quantity 2 — 3/4 inch (19mm)
7. Self-tapping Screws, quantity 2 — 1/2 inch (13mm)
8. Decora Plate, quantity 1
9. LED Indicator
10. Indicator Panel with 50 feet (15.4 meters) of cable (not shown), quantity 1
11. Threaded Screws, quantity 6
12. FC Mounting Clamps, quantity 4
13. Threaded Screws, quantity 6
14. Tubing and Grommet (not shown), quantity 1

## 1.6 Type Designation

<b>Product Name</b>	DEDPV-705, #499195
<b>Duct Collar Dimensions</b> in inches (mm)	4 (102)
<b>Motor Type</b>	AC: Alternating Current, 1-phase

## 2 Safety

### 2.1 Safety definitions

Warnings, cautions and notes are used to point out specially important parts of the manual.



#### Warning

If you do not obey these instructions, there is a risk of death or injury.



#### Caution

If you do not obey these instructions, there is a risk of damage to the product, other materials or the adjacent area.

#### Note:

Information that is necessary in a given situation.

### 2.2 Safety Instructions



#### Warning

This product is intended for general ventilation use only. If you have questions, contact Fantech. To decrease the risk of fire, electric shock, or injury, read and obey the following warning instructions before you do work on the product:

- The ventilation contractor and the operator are responsible for correctly installing the product.
- When installing the product, obey all applicable local conditions and laws, and fire-rated construction codes and standards.
- Because the product has rotating parts, exercise safety precautions when installing, operating, and maintaining the product.
- Before installing, servicing, or cleaning, set the product's electrical power supply source in the OFF position, and lock the service disconnecting means. If the service disconnecting means cannot be locked, tightly attach a large warning device to the service panel.
- To prevent the product from backdrafting, obey the heating equipment manufacturer's guidelines and safety standards such as those published by the National Fire Protection Association (NFPA), the American Society for Heating, Refrigeration & Air Conditioning Engineers (ASHRAE), and the local code authorities.
- If a continuous alarm sounds or a visual error indicator is present, do not operate the dryer. Contact your service personnel.



#### Caution

To decrease the risk of product malfunction or damage to the product or surrounding finishes and walls, read and obey the following caution instructions before you do work on the product:

- Do not install the product in duct systems where the equivalent duct length is less than 35 feet (10.7 meters).
- To prevent damage to the dryer or to the product, do not install the DEDPV-705, #499195 within 5 linear feet (1.5

linear meters) or further than 40 linear feet (12 linear meters) from the dryer outlet.

- Do not install the product in the exhaust duct system of a dryer if it is not permitted to do so.
- Do not install insulated ducting upstream of the product.
- Do not use the product with high output dryers.
- When cutting or drilling into walls or ceilings, watch for electrical wiring and other hidden utilities to prevent damage.
- Ducted exhaust fans must always be released to the outdoors
- Do not block the air intakes or exhaust.
- Do not mount this product in an outdoor location.
- Do not clean the product with chemicals that can cause corrosion or water hotter than 140° Fahrenheit (60° Celsius).
- Do not let unwanted objects enter the product.
- Do not use this product to remove hazardous or explosive material and vapours.
- Do not exhaust air hotter than 167° Fahrenheit (75° Celsius).
- Do not mount this product in kitchens.
- Do not release air into spaces within walls or into attics, crawl spaces, or garages.
- If the LED light on the indicator panel starts to flash, do not use the dryer. See section 4 [Troubleshooting](#).
- To prevent the possibility of dryer fan cavitation and/or releasing hotter air than allowed for the drying cycle and compromising drying times, the airflow of the product must not exceed the dryer fan capacity.

### 2.3 Personal protective equipment

Use personal protective equipment during all work on the product.

- Approved eye protection
- Approved protective helmet
- Approved hearing protection
- Approved protective gloves
- Approved protective shoes
- Approved work clothing

## 3 Installation

### 3.1 To Do Before the Installation



#### Caution

This is a cord-connected product. Do not try to field wire the product. Tampering with the electrical enclosure voids the UL marking and the manufacturer's warranty.

#### 3.1.1 To Calculate the Duct Run

This product is able to overcome equivalent duct lengths up to 125 feet (38 meters) on duct systems with 4 inch (102mm) diameter galvanized, steel ducts. It is also able to hold an air velocity of 1200 fpm (6.10 m/s).

To calculate the length of your planned duct system, measure from the dryer to the external release point in the roof or the

wall. For each 45° elbow, add 2–1/2 feet (0.76 meters) to your total duct system calculations. Add 5 feet (1.5 meters) for every 90° elbow.

Use the table below to determine the length of duct this product can be used with at specified elevations:

Elevation in feet (meters)	Maximum Equivalent Duct length in feet (meters)
Sea Level	125 (38)
2000 (610)	114 (35)
4000 (1219)	106 (32)
6000 (1829)	98 (30)
8000 (2438)	92 (28)
10,000 (3048)	85 (26)
12,000 (3658)	80 (24)

#### 3.1.2 To Select the Product Location



#### Caution

To prevent damage to the dryer or to the product, do not install the DEDPV-705, #499195 within 5 linear feet (1.5 linear meters) or further than 40 linear feet (12 linear meters) from the dryer outlet.

#### Note:

If the product is installed less than 15 feet (4.6 meters) from the dryer outlet, install a secondary lint trap between the dryer and the product.

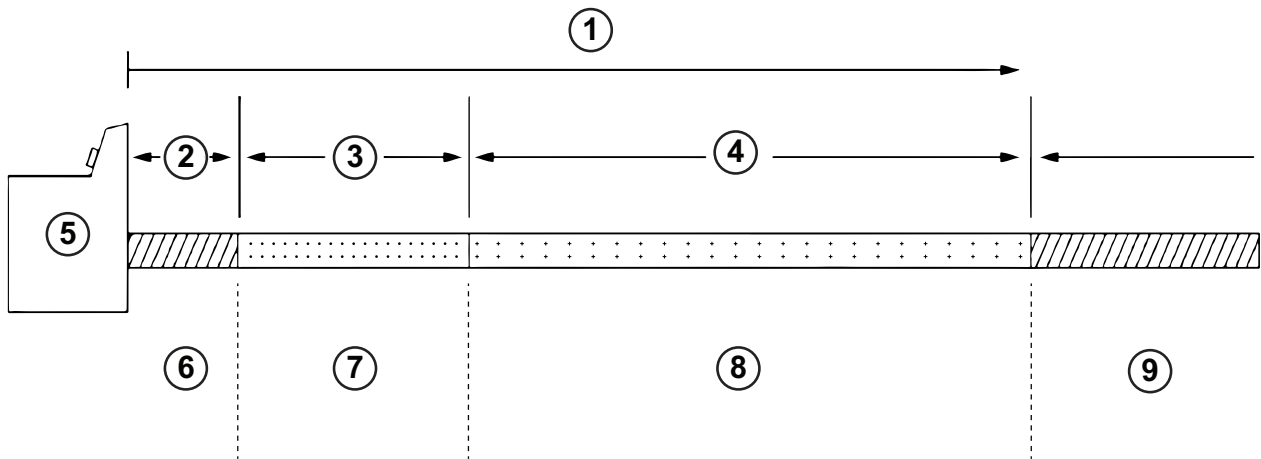
#### Note:

Stretch flex ducting is not allowed for clothes dryer exhaust applications.

Fantech recommends using a Mounting Bracket (included) to install the product to a rafter or a joist. A vertical rigid duct may be used to hold the product if the duct is safely stabilized (refer to local codes prior to supporting the product in the

duct alone). Refer to section 5.1 [To Maintain the Product](#) for inspection recommendations.

Correctly seal all duct connections to prevent leakage and loss of product performance.

**A**

1. 40 feet (12 meters)
2. 5 feet (1.5 meters)
3. 10 feet (3 meters)
4. 25 feet (7.6 meters)
5. Dryer
6. Do not install the product.
7. If product is installed, install a secondary lint trap between the dryer and the product.
8. If product is installed, Fantech recommends to install a secondary lint trap.
9. Do not install the product.

## 3.2 To Install the Product

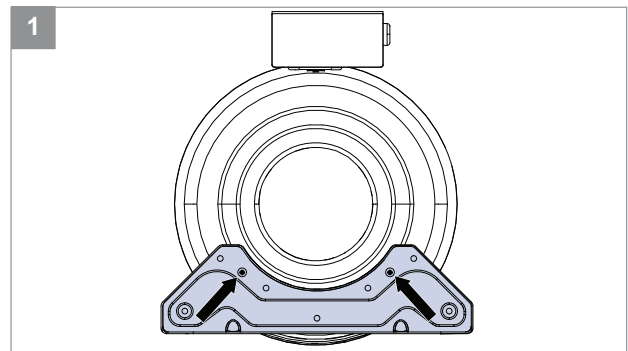
### 3.2.1 To Mount the Bracket



#### Caution

Using the wrong length screws will damage the motor impeller.

- 1 For correct operation, position the control box (located on the product) to provide access to the indicator panel wiring and tubing connections.
- 2 On the opposite end of the control box, position the bracket onto the product.
- 3 Make a mark through the middle holes of the bracket onto the product.
- 4 Using the marks for guidance, drill two (2) 3/32" (2mm) pilot holes in the product.
- 5 Using two (2) self tapping 1/2 inch (13mm) screws provided, attach product to the mounting bracket.



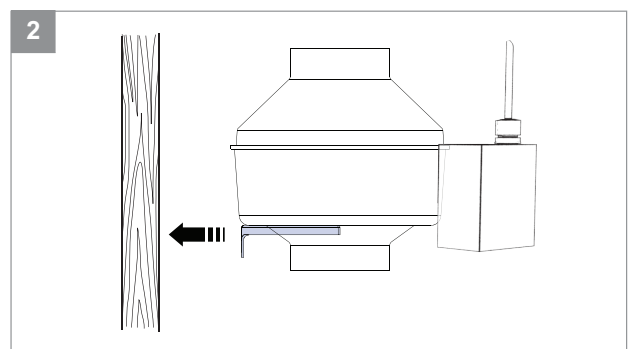
### 3.2.2 To Mount the Product in a Vertical or a Horizontal Position

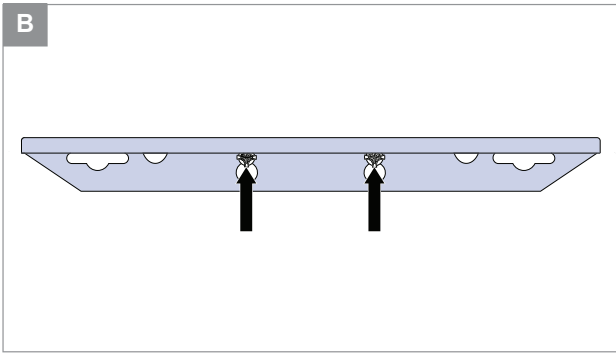
#### 3.2.2.1 To Mount the Product in a Vertical Position

#### Note:

Vertical mounting is recommended to reduce condensation buildup in the product.

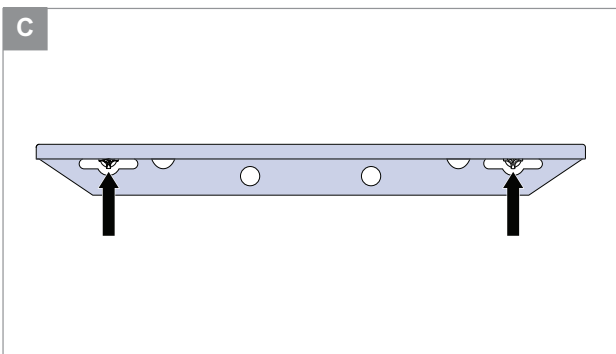
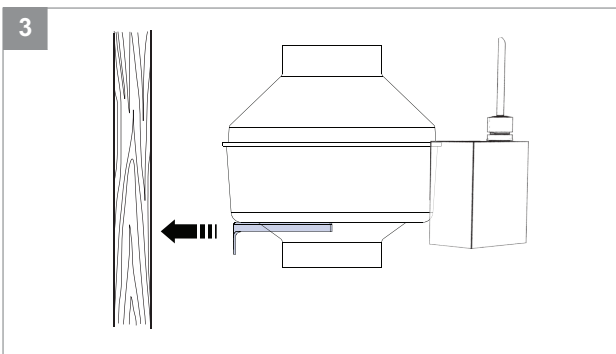
- 1 Using two (2) 3/4 inch (19mm) wood screws provided, attach the mounting bracket to a support beam at the selected location.





### 3.2.2.2 To Mount the Product in a Horizontal Position

- 1 Drill a 1/4 inch (6mm) hole in the bottom of the housing (along with an NPT insert (provided by others) and drain tubing) to allow the condensation to drain.

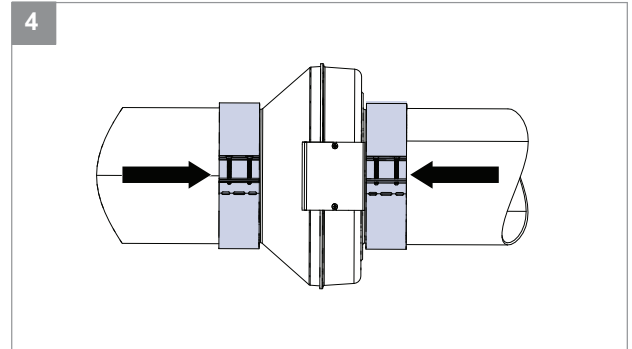


### 3.2.3 To Install the Ducts

#### Note:

The cleanout ducts must be removable for maintenance work.

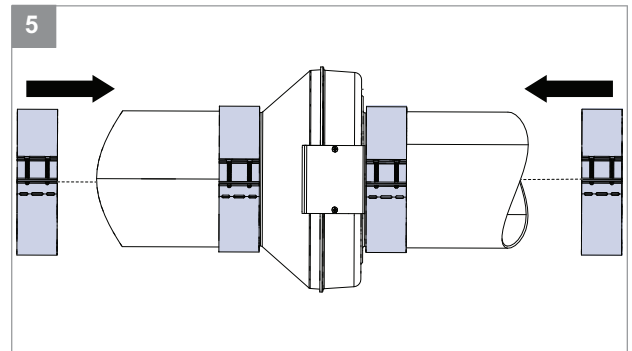
- 1 Position the two (2) 10 inch (254mm) adjoining cleanout ducts 10–1/8 inches (257mm) away from the product outlet and inlet.
- 2 Using two (2) FC Mounting Clamps and the accompanied hardware, install the two (2) ducts onto the inlet and outlet of the product.



#### Note:

On both ends of the cleanout ducts, leave 0.06 inches (1.5mm) of clearance to mate the ducts.

- 1 Move the two (2) FC Mounting Clamps onto both ends of the cleanout ducts.
- 2 Using the accompanied hardware, safety the clamps onto the ends of both ducts.



### 3.2.4 To Position the Pressure Switch

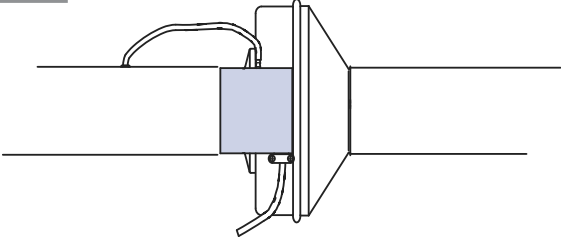
#### Note:

The figure that follows shows how to correctly position the pressure switch on horizontal, angled, or vertical duct work.

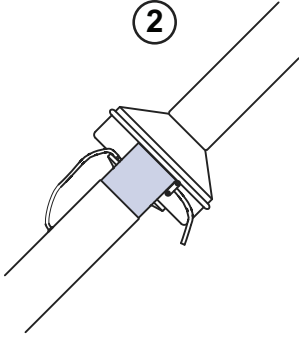


**D**

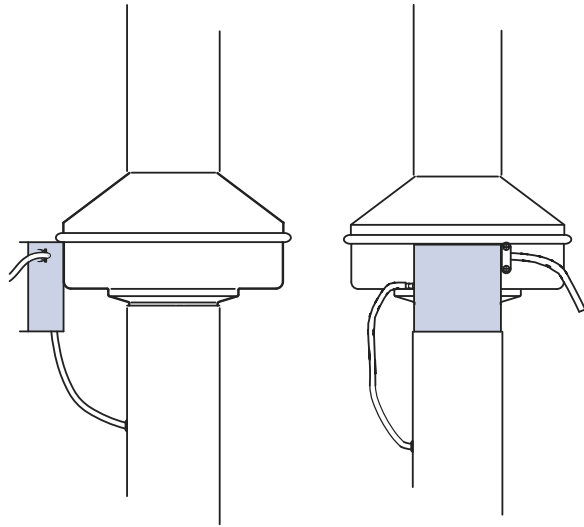
①



②



③



1. Horizontal Duct Installation
2. Angled Duct Installation
3. Vertical Duct Installation

### 3.2.5 To Install the Grommet and Tubing



#### Warning

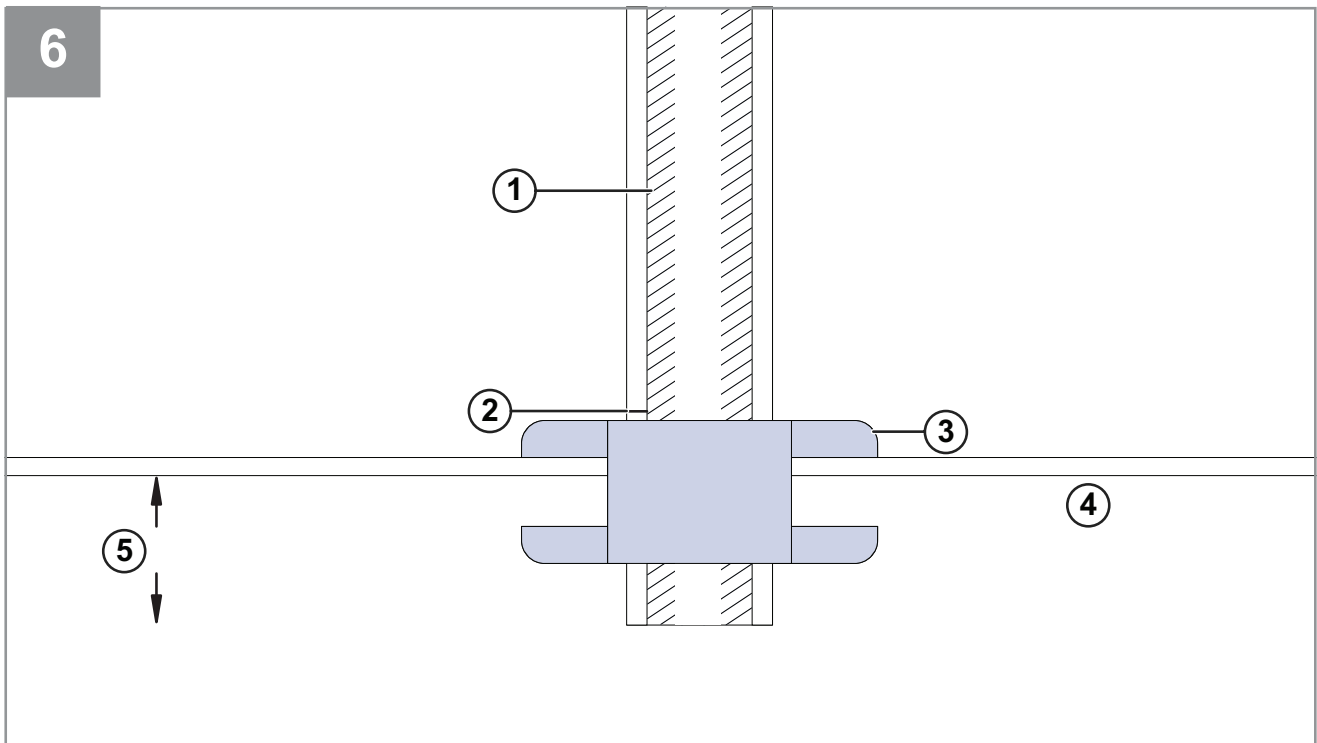
Drilling a metal duct may produce burrs. Be careful not to be cut or pricked by the burrs or the duct.



#### Caution

Do not connect tubing in such a manner as to allow condensation from the duct to collect in the tubing.

- 1 Drill a 5/16 inch (8mm) diameter hole in the duct wall.
- 2 Carefully put the grommet into the hole.
- 3 Push one end of the tubing over the nipple on the control.
- 4 Make a mark a distance of 1/2 inch (13mm) from the other end of the tubing.
- 5 Move this end of the tubing through the center of the grommet up to the mark as shown in the figure from this section.



1. Tubing
2. 1/2 inch (13mm)
3. Grommet
4. Duct Wall
5. 1/4 inch (6mm) maximum

### 3.2.6 To Connect the Indicator Panel Cable to the Product

- 1 Connect the two (2) position connector at the end of the 50-foot (15 meter) indicator panel cable to the receptacle located on the product's control box.

### 3.2.7 To Install the Indicator Panel to the Wall

#### Note:

The product is equipped with a remote-mounted, low voltage operation indicator panel and a 50-foot cable. We recommend mounting this panel to a wall using applicable fasteners.

## Note:

This wall-mounted indicator panel has a blue LED light that visually alerts the user of any malfunctions.



## Caution

Install the indicator panel near the dryer so it can be clearly seen. If the panel cannot easily be seen, the user may miss an error notification that could cause damage to the product, the panel, or the dryer.

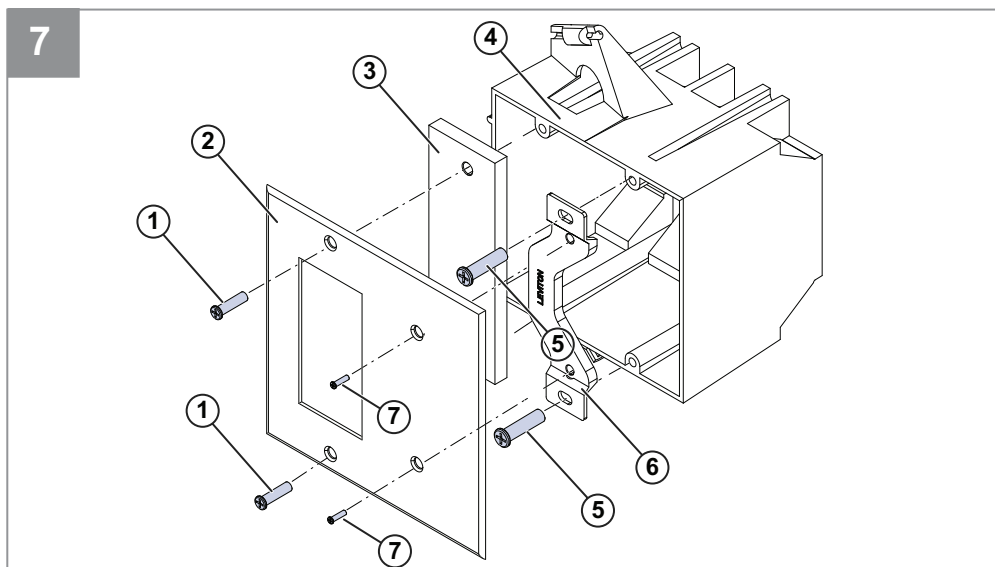
## Note:

Install the panel into a 2 gang mount box.

## Note:

If the dryer is installed in an alcove with a door, install the panel within the alcove or adjacent to the door(s) of the alcove.

- 1 With the 2 gang mount box installed into the wall, and using two (2) supplied large-sized screws, install the adjustment plate correctly into the applicable holes of the mount box.
- 2 Position the indicator panel correctly behind the opening of the decora plate.
- 3 Using two (2) supplied medium-sized screws, install the decora plate and the indicator panel into the applicable holes of the mount box.
- 4 Using two (2) supplied small-sized screws, safety the decora plate to the adjustment plate through the applicable holes.



1. Medium-sized Screw
2. Decora Plate
3. Indicator Panel
4. 2 gang mount box (not included)
5. Large-sized Screw
6. Adjustment Plate
7. Small-sized Screw

## 4 Troubleshooting

### Note:

If the panel LED flashes or does not illuminate when the dryer is on, see the below table for error indication and likely sources of the problem. If the product shows an error other than what is listed, or if these help topics do not solve the problem, please contact Fantech technical support for further assistance.

Problem	Cause	Solution
LED illuminates when the dryer is on and in a steady state.	Correct operation.	No other action is needed.
LED does not illuminate when the dryer is on and the product does not work.	The product is not plugged in.	Make sure that the product is correctly connected to a 120V AC power source.
	Blockages exist in the duct between the dryer and the product.	Remove the blockages.
	The clear plastic tubing is damaged.	Do a check of the tubing to make sure that it is free of moisture and cracks. If you see damage, replace the tubing.
	The tubing is not connected between the nipple on the product and the dryer duct.	Make sure the tubing is correctly connected to the product and to the dryer duct. Refer to section <a href="#">3.2.5 To Install the Grommet and Tubing</a> .
	The low voltage connection to the indicator panel is wrong.	Make sure the wire polarity is correct (red to positive, black to negative).
LED does not illuminate when the dryer is on and the product works.	The safety thermal fuse has opened.	This product will need to be replaced. This happened because the exhaust temperature exceeded 196° Fahrenheit (91° Celsius). Speak to the dryer manufacturer about this issue.
	The low voltage wire is not correctly plugged into the product.	Correctly plug the wire into the product.
LED flashes intermittently when the dryer is on.	The low voltage connection to the indicator panel is wrong.	Make sure the wire polarity is correct (red to positive, black to negative).
	Locked rotor condition.	Do a check of the product for buildup of debris or motor damage. If buildup exists, remove it.
LED flashes twice when the dryer is on followed by a brief pause.	Product working at less than its standard speed.	Do a check of the product for buildup of debris or motor damage. If buildup exists, remove it.
LED flashes three (3) times when the dryer is on followed by a brief pause.	System airflow has been reduced.	Speak to a professional and have the exhaust system inspected and cleaned.
	For new construction, the duct layout is too restrictive.	Do an inspection of the duct layout. Refer to sections <a href="#">3.1.1 To Calculate the Duct Run</a> and <a href="#">3.1.2 To Select the Product Location</a>
LED flashes after the dryer stops.	Decreased airflow through the duct system.	No other action is needed.

### 4.1 Product Operation Test

#### Note:

The procedure that follows will make sure that the product works correctly. Use this procedure at setup to check that the system operates correctly or as a system diagnostic when needed.

- 1 Make sure the product has power.

**Note:**

The indicator LED will illuminate only when the product operates.

- 2 Start the dryer.
- 3 After the dryer starts, the product will start to operate ten (10) seconds after the dryer has started.

**Note:**

The indicator LED will also illuminate during this time.

- 4 After five (5) minutes, the product will stop operating.
- 5 If the dryer is still operating and if the product senses positive pressure within the exhaust duct, the product will start again and will operate for another five (5) minutes.
- 6 After the five (5) minute operation period, if the product does not sense positive pressure from the exhaust duct, the product will operate for five (5) more minutes.
- 7 After the dryer stops, the indicator LED will remain illuminated for five (5) to ten (10) minutes.
- 8 If indicator LED does not illuminate, see section 4 [Troubleshooting](#).
- 9 If the product is operating correctly, no other action is needed.

**Note:**

Generally, if the indicator LED is not illuminated, it is OK to run the test. If you see any behavior other than that described above, set the dryer to the OFF position and wait at least five (5) minutes to allow the system to reset. Then, do the test again.

## 5 Maintenance



### Warning

Set the service disconnect switch in the OFF position before you do maintenance unless the instructions tell you differently. Make sure that the switch is not accidentally set in the ON position.

### 5.1 To Maintain the Product

#### Note:

Because the product bearings are sealed and provided with an internal lubricating material, no additional lubrication is necessary.

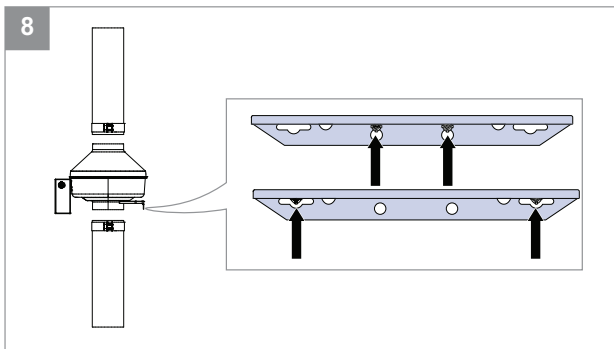
#### Note:

The product impeller may collect lint or debris. Inspect the product a minimum of every six (6) months.

#### Note:

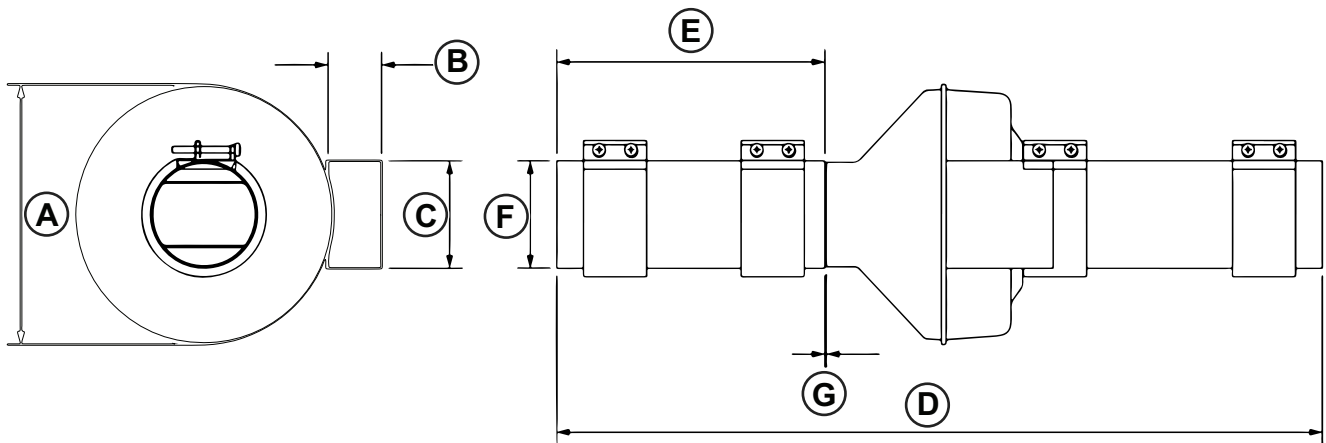
Excessive product noise or vibration may be an indication of lint buildup on the impeller. To inspect and clean the impeller, obey the steps that follow:

- 1 Disconnect the incoming power supply at the source.
- 2 Loosen the two (2) FC clamps from both the inlet and the outlet of the product.
- 3 Remove the ducts from the product inlet and outlet.
- 4 Temporarily remove the two (2) wood screws that connect the product to the support beam.
- 5 Remove any lint buildup or debris on the impeller.
- 6 Install the two (2) removed wood screws through the mounting bracket back onto the support beam.
- 7 Using the two (2) removed FC clamps, tighten the ducts back onto the product again.
- 8 Connect the power supply at the source again.



## 6 Technical data

### 6.1 Product Dimensions



#### Note:

Dimensions are given in inches (mm).

	A	B	C	D	E	F	G
DEDPV-705, #499195	9-5/8 (244)	1-9/10 (49)	3-4/5 (97)	28 9/16 (725)	10 (254)	4 (102)	1/32 (0.8)



**fantech**<sup>®</sup>  
a systemair company

USA

(800) 747 1762

[support@fantech.net](mailto:support@fantech.net)

Canada

(800) 565 3548

[support@fantech.net](mailto:support@fantech.net)

Latin America

+52 55 1328 7328

[support@fantech.net](mailto:support@fantech.net)

© Copyright Fantech

All rights reserved

Fantech reserves the rights to alter their products without notice. This also applies to products already ordered, as long as it does not affect the previously agreed specifications.